



Drop-on-demand valvejet **4500**



Run it with the tip of your finger

Buy it, unwrap it and install it with ease even in the dustiest and most humid environments (IP54). Designed for easy installation and operation, the 4500 large character valvejet printer offers single-sided, drop-on-demand lower resolution, cost-effective printing for cartons and cases. Highly responsive color touch screen makes daily operations immediate and simple.

Your benefits

- Easy operation at your fingertips and in your local language thanks to its simple, intuitive, WYSIWYG 5.7 inch touch screen user interface.
- More uptime in daily use. Clean plug and play consumable changeover in less than 30 seconds, with no daily maintenance required.
- Extended connectivity for enhanced ease of use. Download or back up production data via USB stick.
- Avoid non-coded boxes with embedded conveyor stop output.

Product features

Simple installation & integration

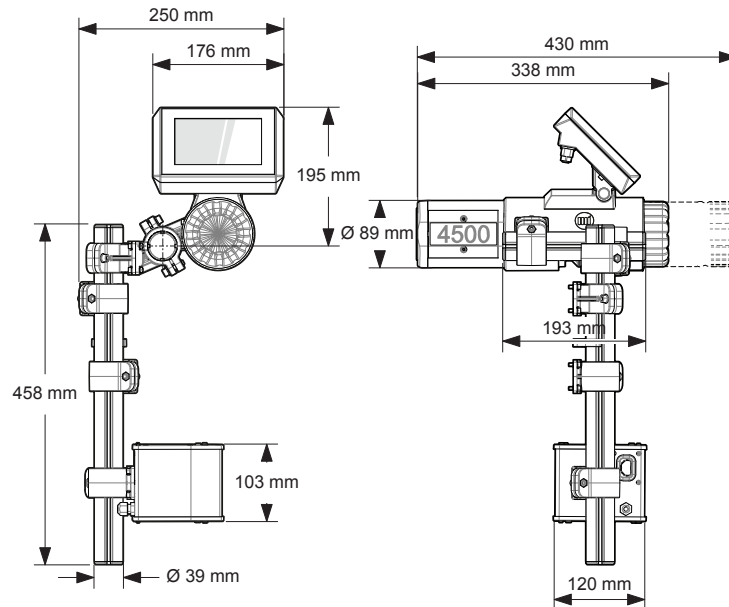
- Fits on any line. Compactness and head positioning options make it ideal for hard to access production lines, variety of package sizes and environments.
- Out of the box and directly on your line. No need for special training or plant air to install. Start printing 30 minutes after you open the box.
- Smart consumable system. No set-up required. Consumable management is automatic, clean and fully secure.
- Ideal for seasonal use. Can be easily stored for weeks and restarted immediately (up to 3 months and without flushing).

Unmatched value

- Identify your boxes with codes up to 56 mm high.
- Prevent product recalls and waste through consistent quality print. Latest printhead generation ensures text and logos are legible from a distance thus simplifying internal logistics.
- Production uptime through its enhanced drop control system: More than 39,000 cartons* with one 1L ink bottle. Bottle can be replaced quickly for maximum uptime. 0,5L bottle also available.
- Choice of colored inks. Choose between black or red for your porous packaging (cardboard, paper). Code will remain readable even in the toughest storage conditions.

*Based on a standard application of 16 characters, 7N-13mm dot size 3

4500 drop-on-demand valvejet specifications



Print features

2 water based ink colors – black and red – for porous substrates.

0.5 or 1L ink bottle, with ink level alarm. Indication of remaining ink on the screen.

7 nozzle print heads to print 1 line of 13 mm or 24 mm

16 nozzle print heads to print 1 line of 29 or 56 mm or 2 lines or 2 lines of 13 or 24 mm each

Prints text, time, date, expiration dates, shift code, counters, images (png or bmp)

Calendar feature for custom date formats

200 messages minimum of 100 characters each

Character width adjustment

Print delay for message placement

Top and side printing

2-20 mm print distance between the printhead and the object

Print direction from right or left

Print speed up to 60 m/min

Ink circuit:

- Internally regulated
- No adjustments needed. No need of plant air

Character sets: Unicode capability. Latin, Arabic, Cyrillic, Chinese (simplified), Chinese (traditional), Greek, Hebrew, Japanese, Thai, etc.

Support for TrueType and BDF-font format

Font matrix:

- 7N : 5x5, 7x5
- 16N: 5x5, 5x7, 12x10, 16x10

Operations

One button only, to activate/deactivate print

Operator interface: intuitive icon-based WYSIWYG 144.8 mm (5.7") touch screen

Interface available in 32 languages: Arabic, Brazilian, Bulgarian, Chinese (simplified), Croatian, Czech, Danish, Dutch, English, Finnish, Greek, Hebrew, Hungarian, Indonesian, Italian, Japanese, Korean, Norwegian, Farsi, French, German, Polish, Portuguese, Romanian, Russian, Slovenian, Spanish, Swedish, Taiwanese, Thai, Turkish, Vietnamese.

3 user levels (Operator, Advanced Operator and Administrator)

Full message editor included

Instructions can be given in one language while messages can be printed in another language and/or character set

Import/export jobs and printer settings through USB

Direct purge button function on controller for convenient cleaning

Supplied as complete functional system 'out-of-the-box'

Other characteristics

Manual set or built-in print speed detection

Object detection by integrated photocells

Conveyor stoppage output on printer error.

Optional external signal beacon

Gregorian, Julian and Hijri calendars

Operating temperature: 5° to 45° C, (41° to 113° F)

Weight: approx. 4.5 kg (9,92 lbs) without ink bottle

Humidity: from 10 to 90% without condensation

Protection class: IP54

Power supply: 110/230 V AC, 50/60 Hz. External AC/DC power pack. 24 V (DC): 1.5 A.

Included: printer, brackets, power supply, cable, DVD-Rom with instruction and user manuals.



markem·imaje

a **DOVER** company