



markem-imaje

a DOVER company



Thermal inkjet 1200



Industrial printing made easy

Designed to be a low-maintenance, easy-to-operate large character printer, the 1200 thermal inkjet printer produces high-resolution text, logos, graphics and 100% scannable barcodes.

Your benefits

- Flexible printhead options: Print from 50.8 Mm up to 203 mm.
- Stainless steel printheads designed to meet the most demanding case coding applications.
- Reduce operating expenses. Low TCO with bulk ink delivery modules available in 680 ml, 1360 ml or industry leading 2,720 ml - Markem-Imaje standard inks only
- Eliminate operator errors. Centrally create images and securely network printers with optional **CoLOS®** software

Product features

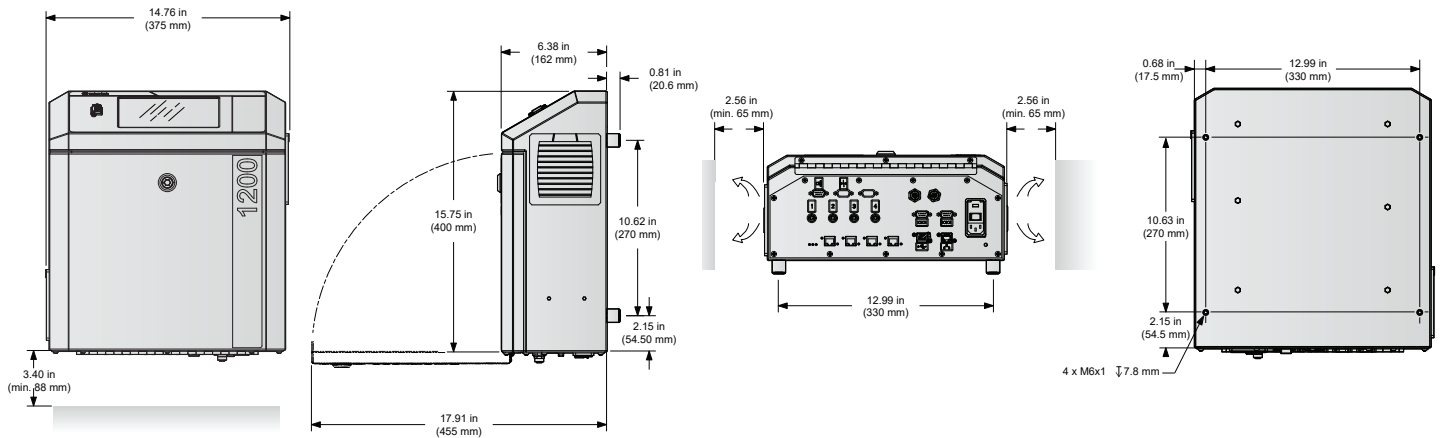
Scannable high-resolution codes printed at high speeds

- High-quality, high-resolution printing. Precise control of print image with 1-600 horizontal dpi in increments of 1 for the most readable text, barcodes and graphics on your product.
- Meet GS1 Compliance Requirements. With 100% readable barcodes at high production rates, and a complete library of barcode formats to meet retail compliance requirements.
- Precision print control variable dpi from 1 to 600 dots per inch for optimized barcode printing.

Simple and reliable

- Fast and easy printing on secondary packages.
- Quick setup. Get your packaging line up and running faster with compact portable design.
- Maximize uptime. Low maintenance snap-in and out cartridges for no hassle reliable printing.
- No computer or software required system. On board image creation, job edit and select; simple, intuitive, WYSIWYG 177.8 mm touch screen user interface.
- Clean operation. Clean and controlled ink flow with bulk inks from patented air regulation eliminates ink messes.

1200 specifications



Line speed/Resolution

Maximum line speed 201 m/min (660 ft/min)

Maximum resolution 600 x 600 dpi

Print features

Static text, user inserts, date/time stamps, shift codes, counters, bitmaps, conditional bitmaps, and variable data

Windows True Type fonts

Barcodes 1D: Codabar, Code 128, Code 39, Code 93, EAN8, EAN13, EAN128, Interleaved 2 of 5, Pharmacode, Plessey, UPC-A, UPC-E

Barcodes 2D: Aztec, Data Matrix, Maxi Code, Micro QR Code, PDF417, QR Code, QR Code 2005

Additional barcodes available upon request

Printheads & mounting configurations

There are several printhead and mounting options available. Please contact a Markem-Imaje Applications Engineer for further assistance in selecting the appropriate components.

Controller

177.8 mm (7") touch screen interface

WYSIWYG template and print preview

3 levels of menu-driven security

Workflow manager allows administrator to customize print process

Industrial solid-state electronics with no moving parts

1 x Ethernet Ports, 2 x USB Ports, 2 x RS-232

Industrial stainless steel enclosure

Supports up to two 101.6 mm or four 50.8 mm heads

Encoder and sensor ports

110-240 VAC, 50/60 Hz, 1.3A

Sensor Pin Out: P3-Hi (PnP), P6-GND, P7-Low (NPN), P8-12VDC

Bulk ink option available

Operating temperature:

- Printer – 10 to 40 °C

- Inks – Aqueous 10-40 °C (except 10068196-S at 5-40 °C), solvent 15-35 °C

- Inks may work outside these ranges depending on the application and environment

Humidity: 0-80% RH (non-condensing)

Software

CoLOS® Enterprise



markem•imaje

a DOVER company