



markem·imaje

a DOVER company



Touch Dry® high-resolution inkjet coders 5800



High-contrast text, logos and barcodes right code on the right case

5000 Series high resolution inkjet coders are designed to rapidly fill and jet **Touch Dry®** hot melt inks which are solvent-free, safe to handle and environmentally friendly. Codes never bleed or fade, dry on contact and are 100% readable. **Intelli'Wax®** printheads combined with our exclusive **Intelli'Dark® Touch Dry®** ink produce the darkest, consistently scannable, direct print codes in the industry.

Your benefits

- Less Downtime. The 5000 Series with **Intelli'Wax®** printheads improves productivity by enabling operators to replenish ink without stopping the production line.
- Designed for efficiency. Uncomplicated menu structure combined with easy to navigate touch screen user interface results in faster job changes and effortless operation.
- Less operator intervention. Our solventless, ink and autopurge technology reduce operator maintenance.

Product features

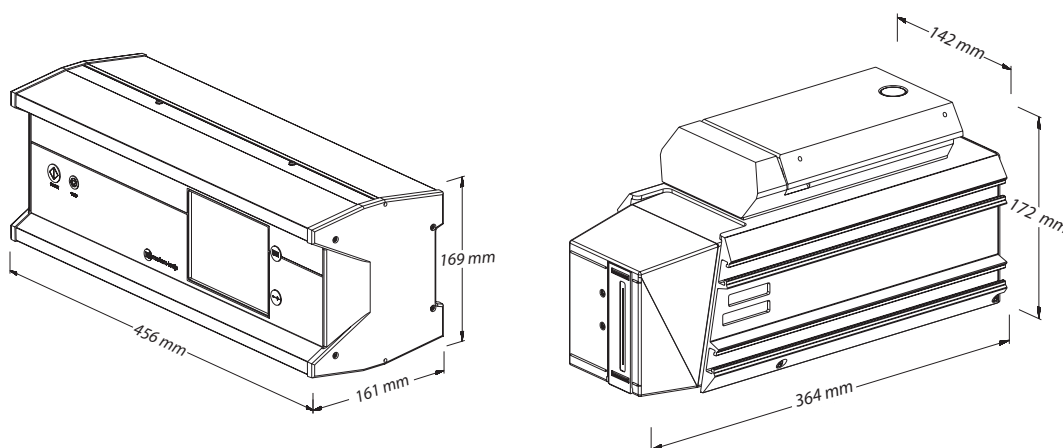
Enhanced performance

- GS1-128 codes. Improve direct print images on corrugate with **Intelli'Dark®** for higher contrast barcodes with improved scannability. Markem-Imaje offers the highest optical density ink to achieve C-grade GS1-128 barcodes.
- Patented **Touch Dry®** hot melt inks. Print on a wide range of substrates and in environments ranging from 0 to 40 °C., a much wider range of inks than competitive printers.
- High quality codes faster. Large drop volume at high frequency provides reliable printing at speeds up to 121 meters/minute (barcodes).

Increased flexibility

- Easier line integration. Multiple jetting orientations; single side, opposite side, side (up to 30° tilt angle for inclined conveyors), and top printing and smaller overall footprint.
- Equipped for your application. Product configuration options include scanners, cameras, encoders, printhead slide assemblies, and stands.
- Connect to your ERP. With **CoLOS®** software the 5800 can be integrated with production lines, databases, or ERP systems to automatically populate image designs.

5800 specifications



Print features

- Printhead dpi
- Vertical dpi: 200
- Addressable jets: 256
- Nozzles: 512

Print Density	DPI - Ink Drops per Inch	Typical Speed (m/min)	Maximum Speed* (m/min)
1	150 x 200	121.9	172
2	300 x 200	61	86
3	450 x 200	40.6	57
4	600 x 200	30.5	43
5	750 x 200	24.4	34

Print densities available: 1 to 8

Encoder scaling: Allows for conveyor line speed matching and for higher print speeds with a reduction in the print resolution

Print area: Maximum/printhead print height: 65 mm (2.56") Print length: 3,000 mm (39.3")

Print specification: Full true type fonts supported

Printing of real-time clock (hr/min/sec), dates and auto updating best before dates and serial numbers

Barcodes (Linear and 2D): ITF, Code 39, Code 128, EAN 128, EAN 8, EAN 13, UPC A, UPC E, Data Matrix, RSS linear, RSS composite, QR, RSS 14, RSS expanded, PDF 417

Operations

5800: Up to two printheads or 2 - 5800s in parent-child mode provide up to four printheads

User interface: Color LCD touch screen used for image selection, variable data entry, diagnostics and system setup.

Selectable multi-language menus

Image preview

Access level password protection

Full system diagnostic menu

Printhead orientations: Vertical or up to 30° in process direction

Software:

- CoLOS® Create image design software included
- CoLOS® Create Pro (Optional)
- CoLOS® Enterprise for networking (Optional)

Encoder options:

- Internal: For fixed conveyor speed printing
- External: For optimizing print quality Recommended for barcode printing

Photo-edge sensors: Print (trigger) signal and a maximum of two per system

Software interface:

- USB for downloading images, settings and data files
- Ethernet (including web user interface)
- Communications protocols for PCs, PLCs and packaging machines
- Compatible with Weihenstephan standard

Hardware outputs: (3) Fault relay

Ink replenishment: User prompted to add ink; can be filled without the need to suspend printing

Interfaces: Hand held product select scanner

Other characteristics

Weight: Printhead: 7.2 kg Control box: 11.2 kg

Touch Dry® hot melt inks: Available in various series, colors

Electrical and environmental: 100-240 V, 50-60 Hz.

System	Measured operating power	Peak power during warm-up
1 head	150 watts	600 watts
2 heads	250 watts	600 watts
3 head	400 watts	600 watts
4 heads	500 watts	600 watts

FCC Part 5 Subpart B, ICES 003; UL STD 62368-1; Certified to CSA STD C22.2 # 62368-1; ETL mark for USA, Canada; CE: EMC directive 2014/30/EU, Machinery directive 2006/42/EC

Operating environment of 0 to 40 °C (32 to 104 °F). IP42 (controller only)

Manuals: Instruction manual and CD-ROM User Guide (includes spare parts, options, and accessories catalog)

Local language versions for the color user interface

Regional telephone technical and product support,

Web site technical and product support

Accessories

Printhead slide assembly

Signal tower assembly

Post print barcode scanner assembly

TU Look-up assembly

Optional expansion unit (OEU) - support 11 inputs, 8 outputs and 1 additional scanner port

Printer service kits

Preventive maintenance kits and contracts

On-site product and tech support



markem·imaje
a DOVER company