



markem-imaje

a DOVER company



## Thermal transfer overprinter SmartDate® X65-128



### Transferring more performance to you

Designed for wide format printing applications, the SmartDate® X65-128 delivers high-resolution coding on flexible film packaging as fast as 400 packs per minute. Its printhead characteristics make it ideal for wide messages such as ingredient and nutritional coding. Its fully intuitive 10.1" user interface makes daily operations easy and straightforward while providing the most valuable information you need to optimize and improve your Overall Equipment Effectiveness (OEE) through MI Sigma reporting.

### Your benefits

- Delivers extended performance. Up to 128 mm x 150 mm printing area\* capacity delivers twice the amount of variable print versus a standard coder thus reducing costs.
- Drives efficiency. Minimizes time and effort by printing multiple codes on multi-lane packaging lines on demand, quickly and efficiently.
- Ensures code quality. Automatic printhead setup optimizes printhead lifetime and allows for dead-dot monitoring.
- Achieves superior printing speeds. Print speed can be set from 10 mm to 700 mm per second allowing for more than 400 printed packs per minute at 300 dpi.

\*Larger printing area possible, application dependent

\*\*Compared to other competitive models.

## Product features

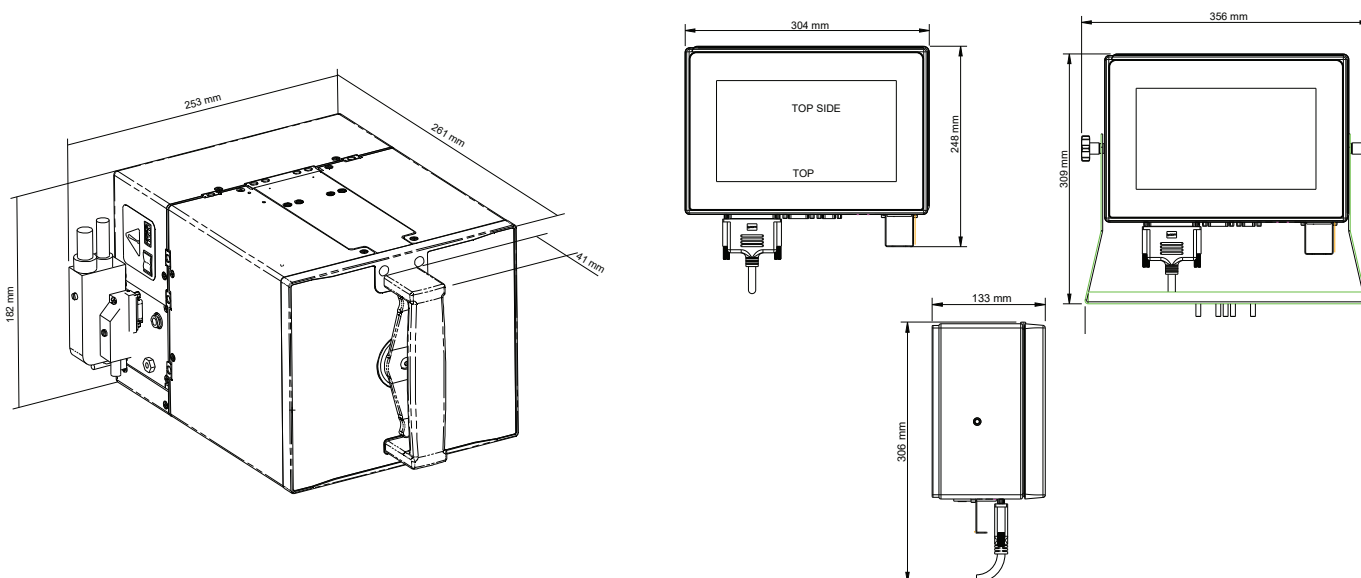
### Enhanced SmartDate® experience

- Optimized tracking of OEE data. Coder can be configured to monitor your 5 most important production metrics directly from your home screen e.g., pack rate, throughput, availability.
- Tutorials to facilitate daily activities. Animated help and 'how to' tutorials provide guidance on setup and daily maintenance procedures to ensure consistent print quality.
- Profile configurator for error-free operation. Configurable profile password function (operator, supervisor and engineer) manages access and limits human-related errors.

### Unmatched and cost-effective reliability

- Zero preventive maintenance. Robust direct ribbon drive and cassette design contain no wear parts.
- All-in-one printer for enhanced flexibility. Both intermittent and continuous configurations are available on the same coder.
- Up to 15%\*\* more codes per roll. Large choice of ribbon rolls based on your packaging type and needs.

# SmartDate® X65-128 specifications



## Print features

Print speed:

- Intermittent: up to 700 mm/s
- Continuous: 10 to 700 mm/s

Print area:

- Max: Intermittent: 128 mm x 75 mm
- Max: Continuous: 128 mm x 150 mm\*

Print features:

- Automatic printhead setup
- Detect: Dead-dot detection
- Quick change printhead
- Combined intermittent and continuous printing
- Easily change from left to right hand with no additional parts
- Gap between prints: 0.5 mm
- Automatic shift codes and serial numbers
- Multiple variable user input fields with alphanumeric texts
- High-pack-rate mode

Ribbon-saving mode: Radial ribbon save, Interlaced mode, Radial mode 1, Radial mode 2, Radial interlaced, Whitespace, Radial whitespace, and Step advance

Print specifications: Full TrueType font support, including non-Roman characters and symbols. Printing of real-time clock, dates and auto-updating best before dates, barcodes: ITF, Code 39, Code 128, EAN 128, EAN 8, EAN 13, UPC A, UPC E, RSS linear, PDF 417, GS1 DataMatrix, QR and Composite RSS barcodes support

## Operations

User interface: 10.1" full color 1024 x 600 touch screen for message selection, variable data entry, diagnostics and system setup

MI Sigma functionality

Advanced health and availability monitoring

Configurable user home screen

Animated help tutorials: ribbon fitting, printhead cleaning, printhead replacing

Simple print adjust and image adjust

Parent/Child function to allow parent control for up to 7 children

Configurable password protection capability

WYSIWYG print preview of printed message, real-time display of remaining print capacity expressed in hours and number of prints

Full diagnostics (pack rate, speed)

Robust LED status indicators on the printer

Webbing diagram for fast ribbon changes

Hardware interface: Inputs: "print go" and 1 configurable input

Outputs: fault, warning, and 2 configurable outputs

Software interface: USB for downloading images, settings and data files. RS232, Ethernet communications standard. Communications protocols for PCs, PLC and packaging machines, including full remote control web server

## Other characteristics

Supplies: thermal transfer ribbon available in a variety of grades and colors

Maximum ribbon length: up to 900 m

Minimum ribbon width: 55 mm

Maximum ribbon width: 130 mm

Weight: Printer: 10.2 kg, Color controller: 4.8 kg

Electrical power supply: 90 – 264 V with automatic switching; frequency 47/63 Hz; power 150 VA

Air supply: 6 bar/90 psi (maximum) dry, uncontaminated

Air consumption: down to 0.4 ml/print at 2.5 bar

Operating temperature range: 0 to 30°C

Humidity: 10% to 90% non-condensing

## Options

Promotional coding

WEB Browser and Virtual Network Computing support

Mounting bracket

Encoders

IP protection kit for installed SmartDate® X65-128

## Software

Included, CoLOS® Free 6.0 for design of simple messages



markem·imaje  
a DOVER company