



markem·imaje

a DOVER company



Thermal transfer overprinter SmartDate® X30



Transferring more capability to you

Printing at up to 600 millimeters per second at 300 dpi, the SmartDate® X30 is a robust one-box solution that can easily be installed on your line or integrated by OEMs. It is the ideal coder for low- to medium- speed production lines printing on flexible film.

Your benefits

- Airless to increase uptime and reduce expenses. No need to install plant air. In addition to reducing costs, print quality will remain constant through the years.
- Advanced Consumables Management (ACM) system. Ribbons and printhead are automatically recognized and adjusted to code minutes after you start it. No human intervention required, no mistakes.
- Dead-dot detection system to eliminate faulty codes. Constant quality codes thanks to unique printhead monitoring.

Product features

Enhanced customer experience

- Compact one-box solution. Extremely compact in size (20 cm x 17 cm x 18 cm), it can easily be integrated into your production line and integrated by OEMs.
- Intuitive remote user interface (RUI). An optional 10.1" touchscreen remote user interface can be connected and positioned anywhere on the packaging machine.
- Easy to use. From message selection to print adjust everything is only one click away. Track your five most important production metrics directly from your RUI home screen.
- Profile configurator for error-free operation. Configurable RUI home screen and password-protected user profiles manage access and limit human-related errors.

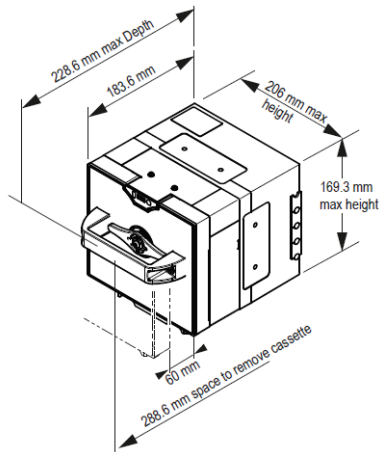
Cost-effective reliability

- Unmatched reliability. Simple, robust design—proven in packaging facilities worldwide—delivers consistent results you can rely on.
- Up to 15%* more codes per roll. Large choice of ribbon rolls based on your packaging type and needs.
- Markem-Imaje quality service you can trust. Gain direct access to one single point of contact for expert support on both your coder and ribbons.

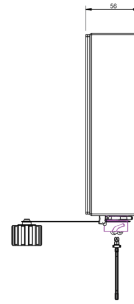
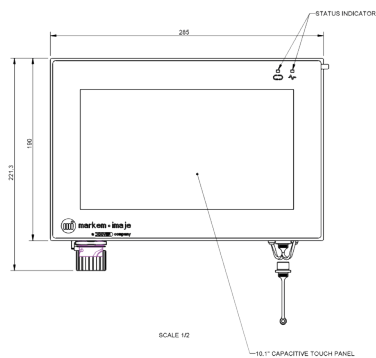
*Compared to other competitive models.

SmartDate® X30 specifications

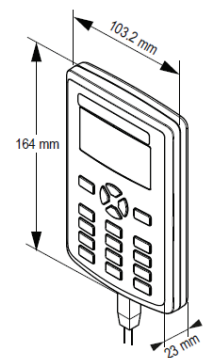
SmartDate® X30



Remote user interface



Handheld user interface



Print features

Print speed: Intermittent: 100 to 600 mm/s;
Continuous: 50 to 600 mm/s

Print area: Intermittent: 32 mm x 40 mm;
Continuous: 32 mm x 50 mm

Print features:

- Automatic printhead setup
- Dead-dot detection
- Average gap between prints: 0.5 mm
- Automatic shift codes and serial numbers
- Multiple variable user input fields with alpha numeric texts

Ribbon saving mode: Radial ribbon saving and Interlaced mode

Print specifications: TrueType font support, including non-Roman characters and symbols; printing of real-time clock, dates and auto updating best before dates, barcodes, including Han Xin, QR, GS1 DataMatrix, RSS

Operations

Optional color remote user interface

Optional handheld terminal interface with LCD screen for message selection, variable data entry, diagnostics and system setup

Hot swappable/removable user interface

Enhanced diagnostics

Print adjust, on-board configurable password protection

Robust LED status indicators on the printer

Hardware interface:

- Inputs: "Print go" and 1 configurable input
- Outputs: Fault, warning
- USB for uploading and downloading images, settings and data files, message storage location
- RS232, Ethernet communications standard
- Communications protocols for PCs, PLCs and packaging machines; web Browser on the host PC; Virtual Network Computing
- Parent/Child function to allow parent control for up to 7 children

Other characteristics

Supplies: Variety of thermal transfer ribbons: SmartDate® Xceed, SmartDate® Xtra and SmartDate® Xpert

Ribbon widths: 22 mm and 33 mm

Maximum ribbon length: up to 700 m

Printer weight

Intermittent: 5.5 kg

Continuous: 5.0 kg

Electrical power supply: ~ 110 – 230 Vac (+/- 10%)
50 – 60 Hz

SmartDate® X30 without power supply requires 24 VDC

No air supply required

Operating temperature range: 0 to 40°C

Humidity: 10% to 90% non-condensing

Accessories

Mounting bracket

Encoders

Barcode scanner

Software

CoLOS® Free (included), CoLOS® Base (optional), CoLOS® Line (optional) and CoLOS® Factory (optional).



markem·imaje
a DOVER company

9, rue Gaspard Monge - B.P. 110
26501 Bourg-lès-Valence Cedex France
+33 (0) 4 75 75 55 00
markem-imaje.com